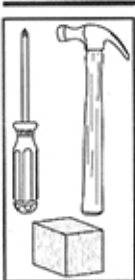
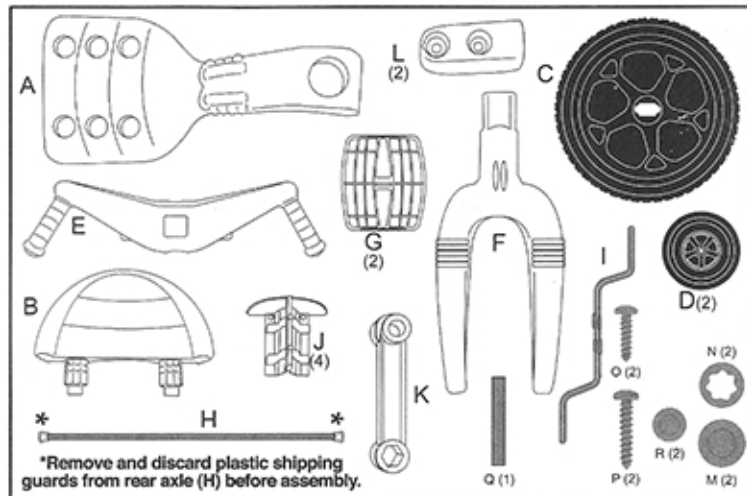


#48727/48728

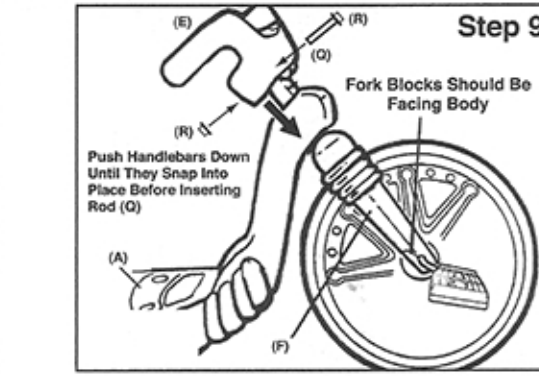
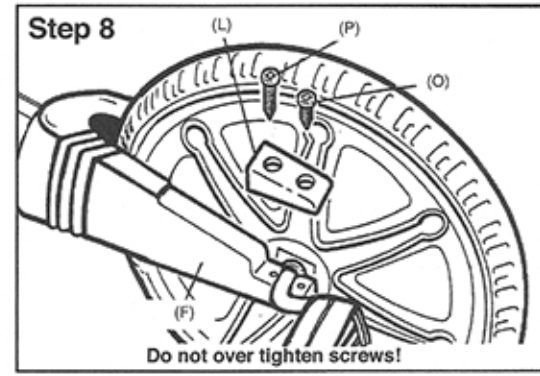
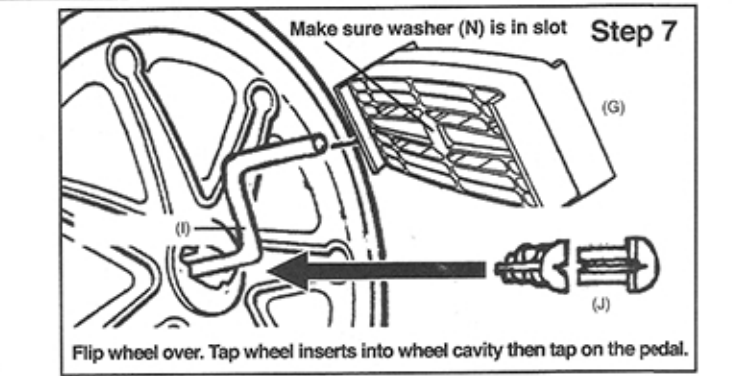
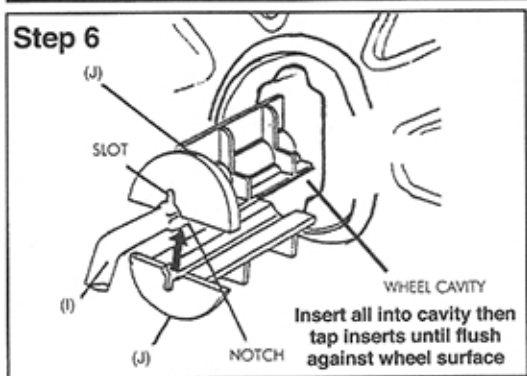
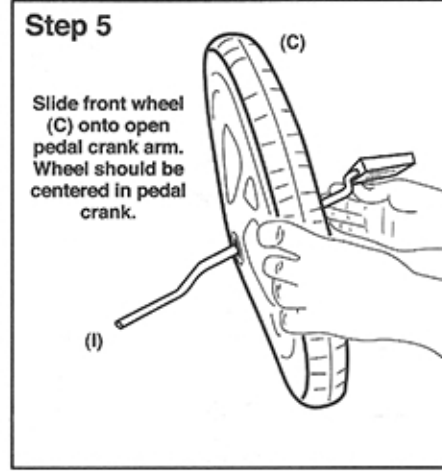
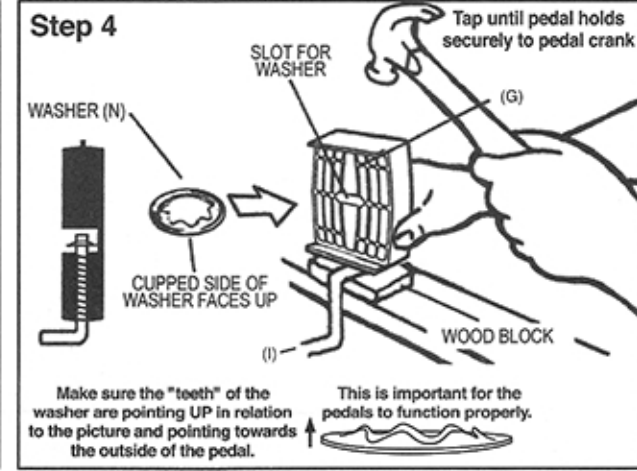
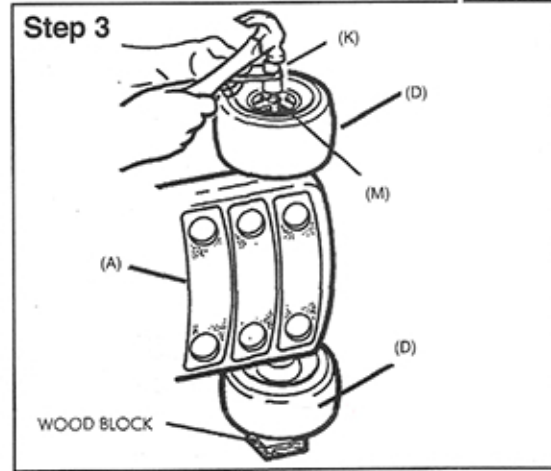
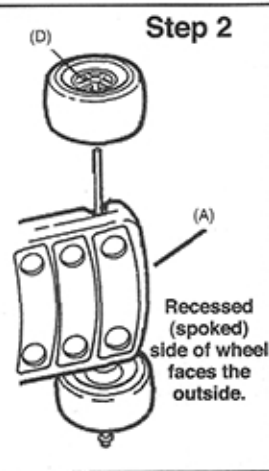
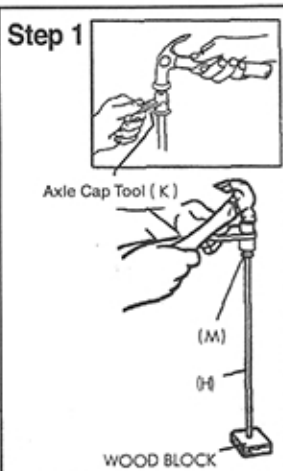
Ages 3-8
Weight limit
70 lbs. (31.8kg)

The Original Big Wheel™ 16" Racer

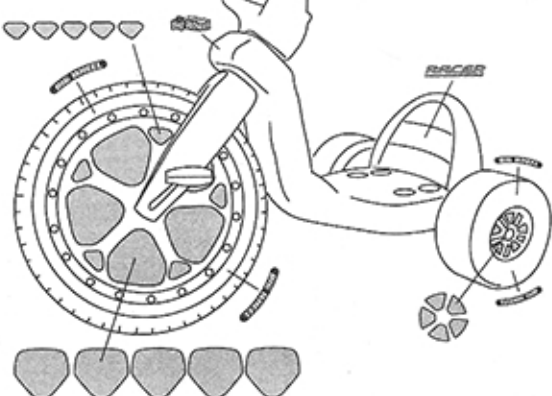
NAME	AMOUNT
A- Body	1
B- Seat	1
C- Front Wheel	1
D- Rear Wheel	2
E- Handlebars	1
F- Front Fork	1
G- Pedal	2
H- Rear Axle	1
I- Pedal Crank	1
J- Wheel Insert (halves)	4
K- Axle Cap Tool	1
L- Fork Block	2
M- Axle Cap 3/8"	2
N- Washer	2
O- 5/8" Screw	2
P- 1" Screw	2
Q- 3 13/16" Steel Rod	1
R- 1/4" Axle Cap	2



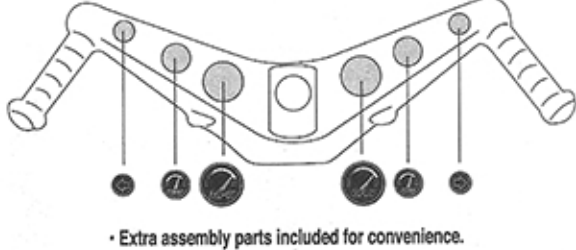
**Tools Required
(Not Included)**
Hammer
Phillips®
Screwdriver
Small wood
block



Decal View



Handlebar Decals



Customer Service: 508-836-8697

WARNING: TO AVOID SERIOUS INJURY:
Continuous adult supervision required. Never use near motor vehicles. Never use near streets, swimming pools, hills, steps or sloped driveways. Always wear shoes when using the tricycle. Allow only one rider. Conduct periodic inspection of hardware and proper maintenance of the unit. Always wear a properly fitted helmet that complies with U.S. Consumer Product Safety Commission (CPSC) standards. 16 CFR 1203. (Helmet Not Included).

WARNING: ADULT ASSEMBLY REQUIRED.
Product contains small parts with potentially sharp points and edges. Keep away from children prior to assembly.
Conforms to safety requirements of ASTM F963 and ANSI Z315.1
Hammer and Phillips head screwdriver required for assembly. Net Quantity: 1



© 2012 Alpha International, Inc.
© 2012 Distributed by Kids Only, Inc.
11A Walkup Drive, Westboro, MA 01581
All Rights Reserved
Colors & Style May Vary Due to Constant Improvement
MADE AND PRINTED IN U.S.A.
www.kidsonlytoys.com

